

# 200# W.O.G. GLOBE VALVE



**SPECIALTY VALVE & FITTING Co.** 7551 East Rosecrans Avenue • Paramount, CA 90723  
 To Order, Call: (562) 602-1400 • (800) 421-2219 or FAX: (562) 630-7700

## SPECIFICATIONS:

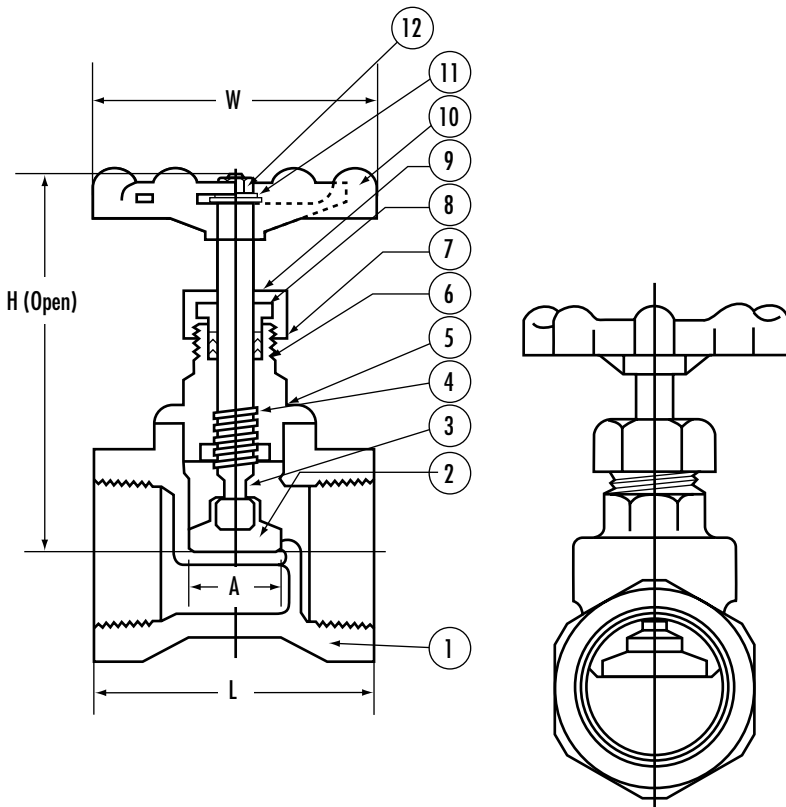
- Investment Casting
- Solid Wedge Disc
- Hydrostatic Test:
- Screwed-In Bonnet
- Hand Wheel Operation
- Shell: 300 PSI
- Rising Stem
- 200 PSI at 350° F
- Seat: 220 PSI

FIG. 33GLT6



## DIMENSIONS

Size	A	H (Open)	L	W	Cv Rate GPM	Net Wt.
1/2	1/2	3 1/8	2	2 3/8	3.8	.66
3/4	5/8	3 5/8	2 3/8	2 3/4	7	.88
1	13/16	3 7/8	2 7/8	2 3/4	11	1.30
1 1/4	1	4 3/4	3 3/16	3 3/16	21	2.00
1 1/2	1 1/4	5 1/2	3 7/8	3 3/16	29	2.70
2	1 5/8	6 1/4	4	4	50	3.80



## MATERIALS LIST

No.	Part Name	Material
1	Body	ASTM A351 - CF8M
2	Disc	ASTM A351 - CF8M
3	Stem	SS 316
4	Bonnet	ASTM A351 - CF8M
5	Gasket Packing	Teflon
6	Washer	SS 304
7	Stem Holder	Teflon
8	Gland	SS 304
9	Gland Nut	SS 316
10	Handwheel	DUC Iron
11	H/W Washer	SS 304
12	H/W Nut	SS 304